

TELESCOPIC BOOM LIFTS

T-Series • SJ 45T



2YEAR GOLD LEAF PROTECTION PROGRAM

Skyjack's SJ 45T features exclusive DIRECTIONAL SENSING DRIVE AND STEER CONTROLS, which ensure the boom lift will always drive and steer with respect to the operator rather than the orientation of the chassis. The axle based 4WD system offers unsurpassed traction and terrainability; using a "Detroit Locker" type rear differential and limited slip front differential on the front oscillating axle.

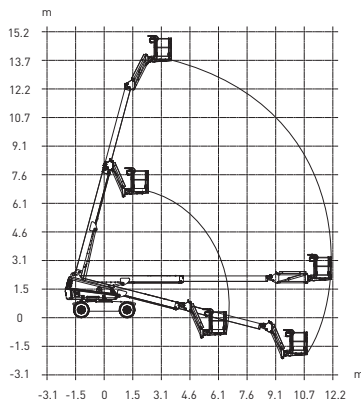
- 13.7 m platform height
- Up to 227 kg capacity
- Up to 12.1 m horizontal reach
- 0.91 x 1.8 m platform size
- 1.5 m Jib and 180° platform rotation
- Drivable at full height
- Axle based 4WD system with "Detroit Locker" type rear differential and limited slip front differential
- Oscillating axle
- 45% gradeability
- Relay based control system with color coded and numbered wiring system

TELESCOPIC BOOM LIFTS T-Series

Specifications

SJ 45T

Work Height	15.7 m
Platform Height	13.7 m
Horizontal Reach	12.1 m
Platform Size	0.9 x 1.8 m
Stowed Width	2.3 m
Tailswing	0.9 m
Stowed Height	2.4 m
Stowed Length	8.8 m
Wheelbase	2.4 m
Ground Clearance	0.3 m
Platform Rotation	180°
Jib Length	1.5 m
Jib Range +/-	63° / 66°
Weight	7371 kg
Gradeability - 4WD	45%
Turning Radius (Inside) - 4WD	2.7 m
Turning Radius (Outside) - 4WD	5.7 m
Axle Oscillation	0.2 m
Drive Speed (stowed)	7.2 km/h
Drive Speed (raised)	0.8 km/h
Capacity	227 kg
Maximum # of Persons	2



STANDARD FEATURES

- Axle based 4WD system
- "Detroit Locker" type rear differential and limited slip front differential
- Oscillating axle
- Drivable at full height
- 45% gradeability
- 48 hp Deutz Diesel engine
- Swing out engine tray
- Swing up cowlings
- Modular platform railing system
- Spring hinged gate
- Wiring for AC outlet on platform
- Direction sensing drive and steer controls
- Proportional controls
- Relay based control system
- Colour coded and numbered wiring
- 360° continuous turret rotation
- Hourmeter
- Operator horn
- All motion alarm
- Overload sensing system
- Tie down/lifting lugs
- Wet disc SAHR brakes (rear axle)
- 12 x 16.5 grip lug foam-filled tyres

OPTIONS†

- Cold weather start kit
(Includes cold start engine oil, battery blanket, and hydraulic tank heater)
- Diesel scrubber
- Hydraulic oil cooler
- Flashing light
- 1/2" airline to platform
- 2WD N/C

† Capacities, and machine weights may differ when options are added

Skyjack Australia Pty Ltd

4 Coates Place
Wetherill Park
New South Wales, 2164
Tel: +61 (0) 2878 63200
Fax: +61 (0) 2878 63222
Email: jcranmer@skyjack.com

www.skyjack.com

This brochure is for illustrative purpose only and based on the latest information at the time of printing. Skyjack Inc. reserves the right to make changes at any time, without notice, to specifications, standard and optional equipment. Consult the Operating Maintenance and Parts Manuals for proper procedures. AS marked platforms are in conformance to Standard AS/NZS 1418.10:2011.